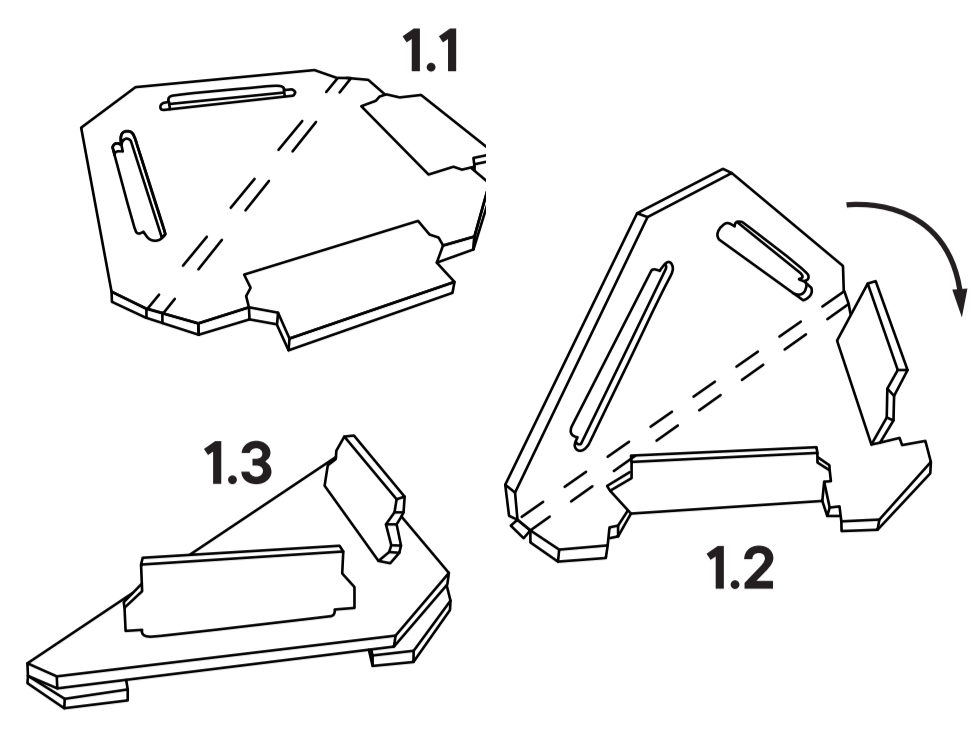
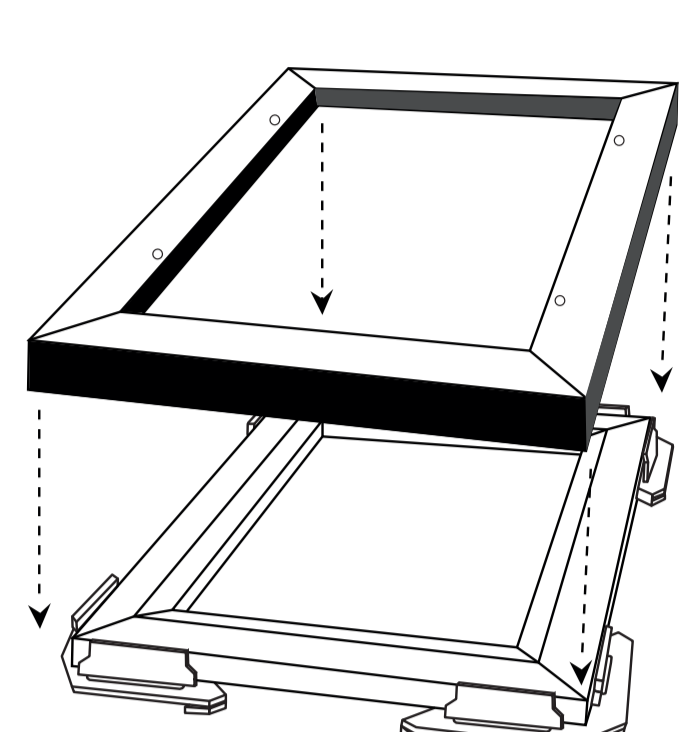


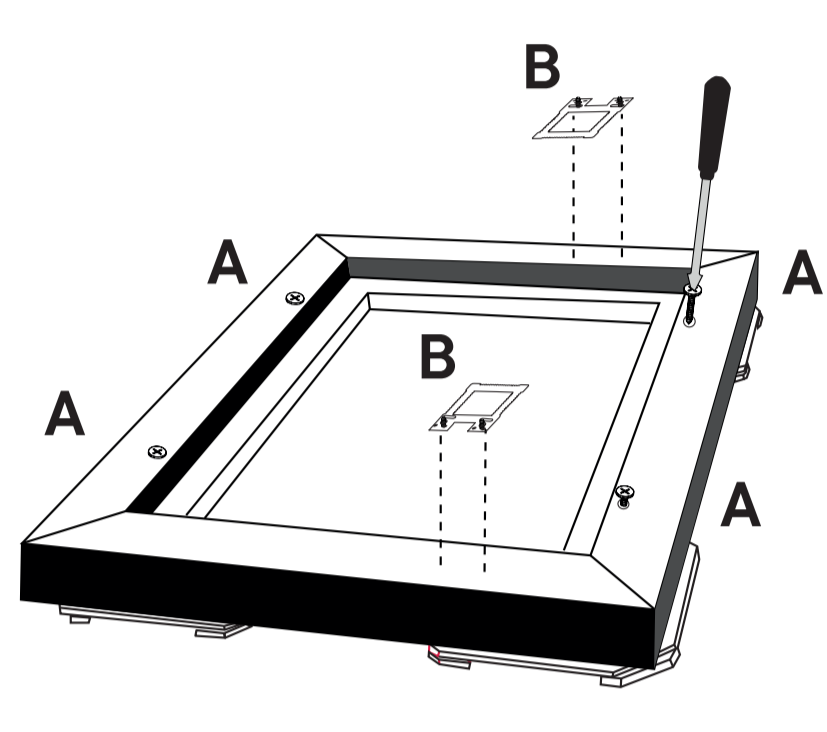
Instructions for canvas floater frame



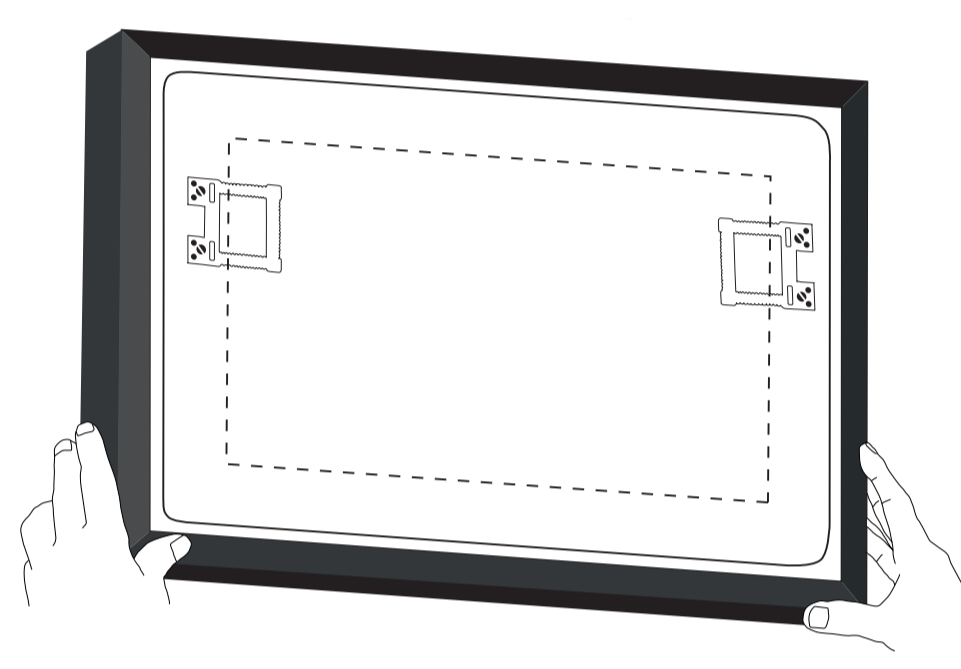
1 Fold the supplied cardboard edges.



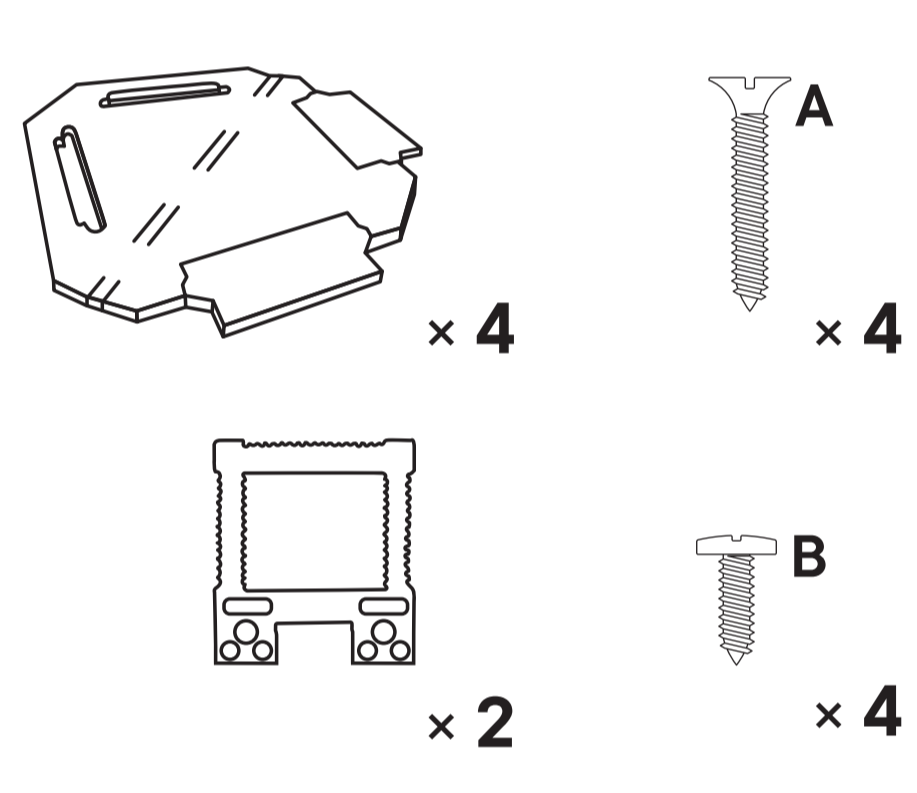
2 Place your photo canvas on the cardboard edges picture side down. Put the floater frame down on it and carefully press down.



3 Now screw the floater frame and the mounting hooks onto the photo canvas using the supplied screws.

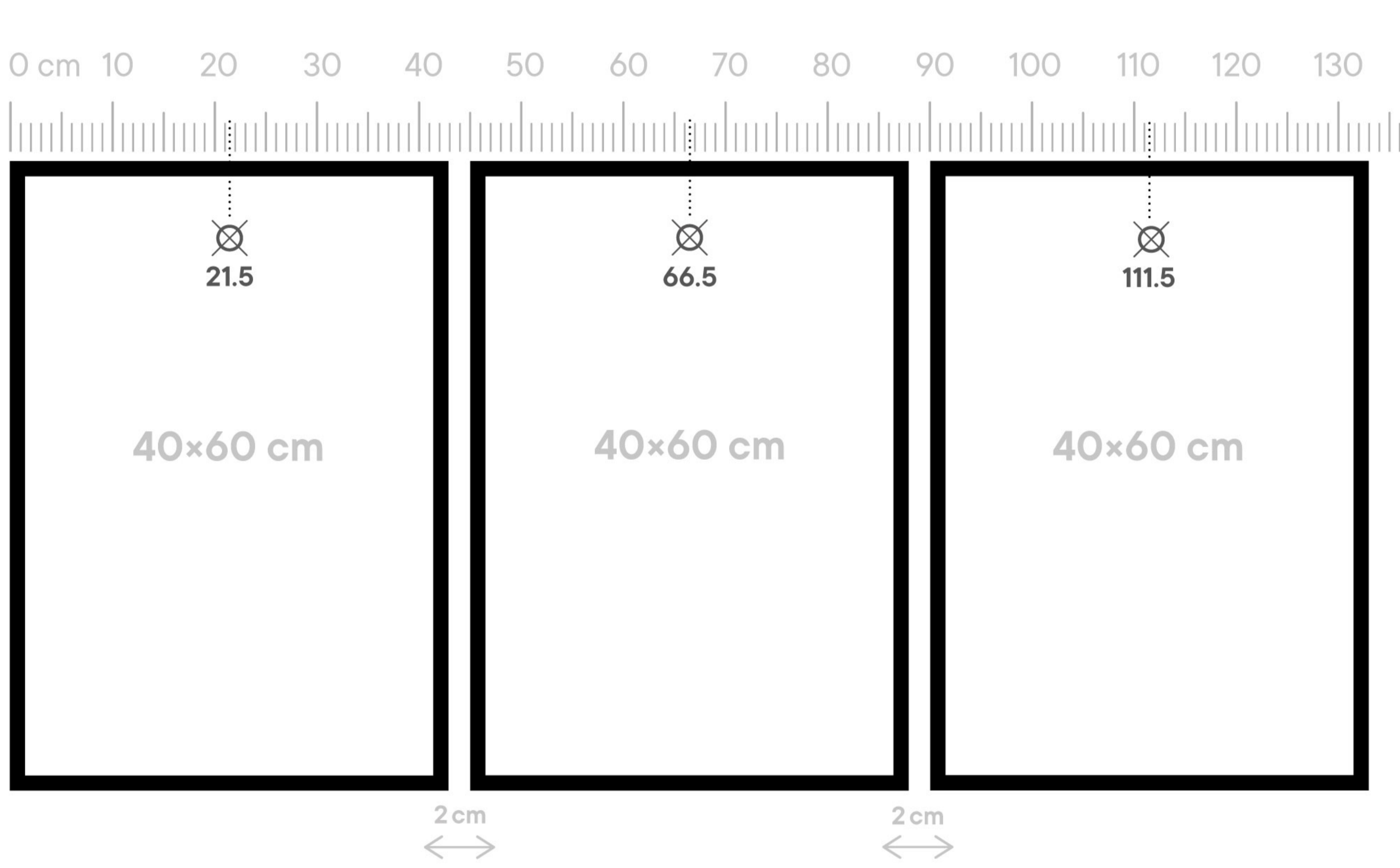


4 Remove the cardboard edges. Use suitable mounting materials to hang your picture, depending on the condition of the wall and size of the picture.



Accessories supplied for canvas floater frame

Assembly recommendation for multi panel canvas floater frame



We recommend hanging the wall decorations 2 cm apart from one another. Simply use the measurements specified in the sketches for your wall decoration.

General instructions

Remove dust using dry cloth only. Do not use water. Do not place in direct sunlight. Do not hang above a radiator. Not suitable for outdoor use.